



DECOTREND H₂O & DECOWOOD H₂O

DECORATIVE PROTECTION AND COVERING PANEL - 2 MM
FOR WET AREAS



APPLICATIONS

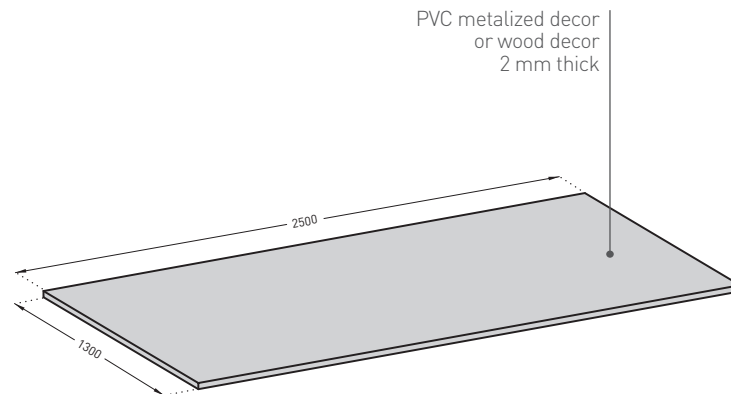
Panels specially designed to protect walls and doors in wet rooms (bathrooms, toilets, kitchens, etc.). Original, design and trendy, they enhance interiors with efficient protection.

They can be thermoformed for use on round pillars (diameter under 800 mm) and to ensure a perfect hygiene in the angles.

Their formulation is specifically developed to ensure an optimum fusion of panels and floor covering with the H₂O welding rod matching the profile colours. This system provides total watertightness, approved by the CSTB and certified by a Technical Approval (France).

DESCRIPTION

- Model: Decowood H₂O or Decotrend H₂O decorative protection and covering panel for wet areas
- Standard dimensions: 2.50 m x 1.30 m
- Custom options: cutting to size, bend into L/U, thermoforming, chamfer
- Thickness: 2 mm
- Material: Bs2d0 fire-rated PVC
- Surface finish:
 - metalized decor for Decotrend
 - wood decor for Decowood
- Fixing: adhesive bonding with SPM acrylic glue. Joints between panels should be made using PVC welding rods, colour matched to the range
- Colours: 3 decors
 - 1 in stock for Decotrend H₂O
 - 2 on order for Decowood H₂O



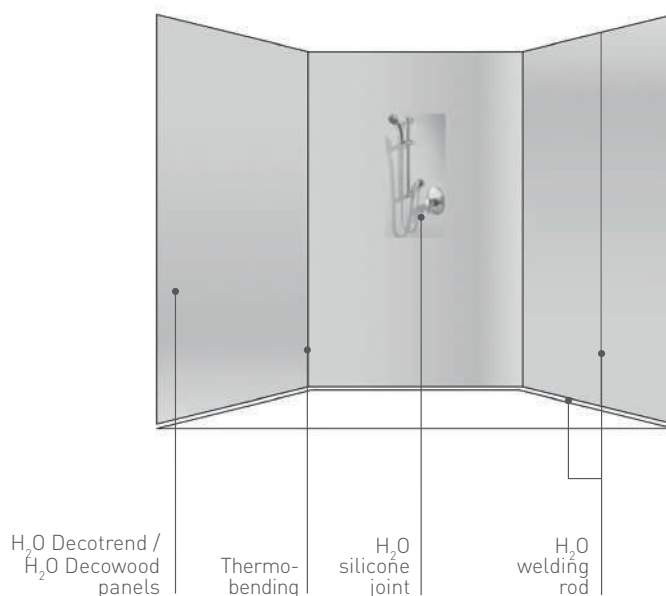
FOR AN IMPECCABLE AND PERFECTLY WATERTIGHT FINISH:

- Welding rods H₂O
- Silicone joints H₂O

Colour coordinated
with the panels

SPECIFICATION

- Description: decorative protection and covering panel for wet areas (Decotrend H₂O or Decowood H₂O as manufactured by SPM) from rigid PVC with metalized or wood decor achieving Bs2d0 reaction to fire classification. The surface finish is metalized or wood effect. 2.50 m long, 1.30 m high, 2 mm thick. A protective film is specified to minimise cleaning before acceptance.
- To ensure watertightness of the system, the panels are thermowelded to each other and to the PVC floor covering by means of a welding rod (H₂O welding rod as manufactured by SPM). Any connections with other materials are made with a silicone joint (H₂O silicone joint as manufactured by SPM). The chemical and mark resistance of the panel should have been proven on the usual cleaning products according to NF EN ISO 26987.
- Environment: no heavy metals and no substance potentially subjected to any REACH restriction are used in its manufacture, nor PBT/BPA. The calcium-zinc thermal stabilisation process is used. The emission level of volatile substance in inside air has been tested according to ISO 16000-6 and is very low (A+) according to the French regulation (23 March 2011 nr 2011-321 Decree and 19 April 2011 Order). 100% of the product are recyclable. Over 20% of the product comes from recycled material.
- Colour: selected by architects from manufacturer's standard range.
- Installation method: glue as per manufacturer's instructions. The installer must have been trained beforehand by the manufacturer to install this system.



Specifications and section drawings on our website www.spm-international.com



bimobject BimObject in Revit and Archicad